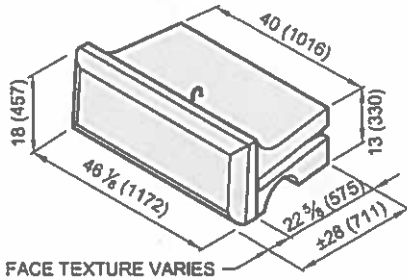


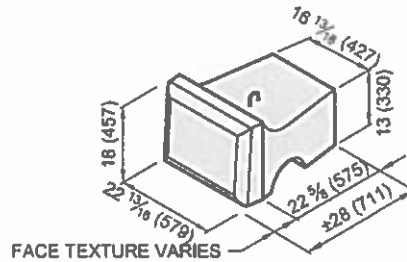
28" (710mm) TOP

Face Texture:	Cobble / Limestone	Ledgestone
Block Weight:	1229 lb (557 kg)	1158 lb (525 kg)
Block Volume:	8.57 ft ³ (0.243 m ³)	8.07 ft ³ (0.229 m ³)
Center of Gravity:	14.9" (378mm)	14.2" (362mm)



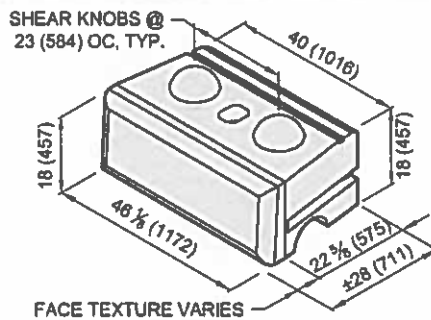
28" (710mm) HALF TOP

Face Texture:	Cobble / Limestone	Ledgestone
Block Weight:	573 lb (260 kg)	538 lb (244 kg)
Block Volume:	4.01 ft ³ (0.113 m ³)	3.76 ft ³ (0.106 m ³)
Center of Gravity:	15.3" (389 mm)	14.7" (373 mm)



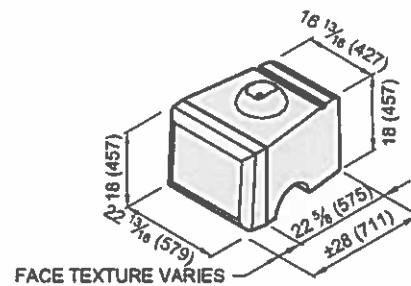
28" (710mm) MIDDLE

Face Texture:	Cobble / Limestone	Ledgestone
Block Weight:	1813 lb (732 kg)	1542 lb (699 kg)
Block Volume:	11.28 ft ³ (0.319 m ³)	10.78 ft ³ (0.305 m ³)
Center of Gravity:	13.9" (354 mm)	13.4" (340 mm)



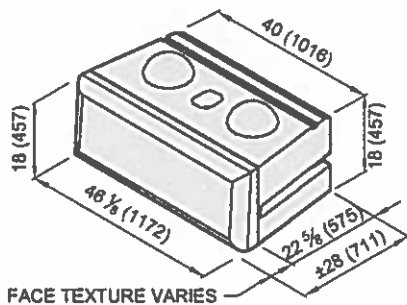
28" (710mm) HALF MIDDLE

Face Texture:	Cobble / Limestone	Ledgestone
Block Weight:	748 lb (339 kg)	713 lb (323 kg)
Block Volume:	5.23 ft ³ (0.148 m ³)	4.98 ft ³ (0.141 m ³)
Center of Gravity:	14.3" (364 mm)	13.8" (350 mm)



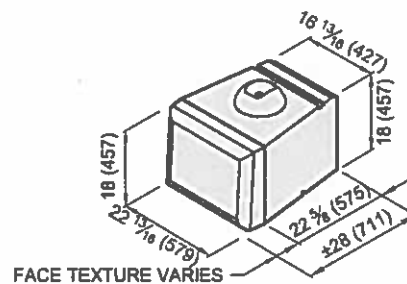
28" (710mm) BOTTOM

Face Texture:	Cobble / Limestone	Ledgestone
Block Weight:	1744 lb (791 kg)	1672 lb (758 kg)
Block Volume:	12.19 ft ³ (0.345 m ³)	11.70 ft ³ (0.331 m ³)
Center of Gravity:	14.0" (355 mm)	13.5" (343 mm)



28" (710mm) HALF BOTTOM

Face Texture:	Cobble / Limestone	Ledgestone
Block Weight:	809 lb (367 kg)	774 lb (351 kg)
Block Volume:	5.66 ft ³ (0.160 m ³)	5.41 ft ³ (0.153 m ³)
Center of Gravity:	14.3" (364 mm)	13.8" (352 mm)



1. Units for dimensions are Inches (mm), typical unless noted otherwise.
2. Confirm block production with licensed Redi-Rock manufacturer.
3. Center of Gravity is measured from the back of block.
4. Actual block volumes and weights may vary.
5. Weights are based upon a concrete density of 143 lb/ft³ (2291kg/m³).

6. Half blocks contain a fork slot on only one side of the block.
7. Interface Shear knobs are typically 10" (254mm) diameter by 4" (102mm) tall. Smaller knob diameters are available.

DRAWN BY: BWL

APPROVED BY: JRJ

DATE: 3JUN2015

SHEET: 1 of 8

TITLE:

Block Library

RETAINING BLOCKS

FILE: Redi-Rock Block Library 060315.dwg

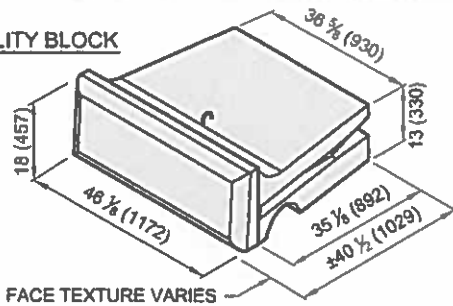
REDI-ROCK

05481 US 31 SOUTH, CHARLEVOIX, MI 49720
(666) 222-8400 ext 3010 • engineering@redi-rock.com
www.redi-rock.com

41" (1030mm) TOP *

Face Texture:	Cobble / Limestone	Ledgestone
Block Weight:	1748 lb (793 kg)	1677 lb (760 kg)
Block Volume:	12.22 ft ³ (0.346 m ³)	11.73 ft ³ (0.332 m ³)
Center of Gravity:	21.3" (540 mm)	20.8" (522 mm)

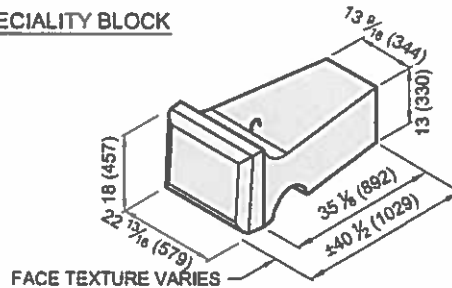
SPECIALITY BLOCK



41" (1030mm) HALF TOP *

Face Texture:	Cobble / Limestone	Ledgestone
Block Weight:	770 lb (350 kg)	735 lb (333 kg)
Block Volume:	5.38 ft ³ (0.15 m ³)	5.14 ft ³ (0.15 m ³)
Center of Gravity:	22.4" (568 mm)	21.6" (550 mm)

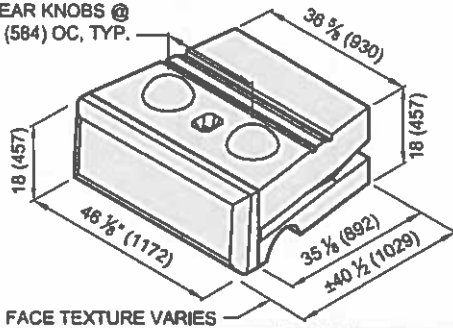
SPECIALITY BLOCK



41" (1030mm) MIDDLE

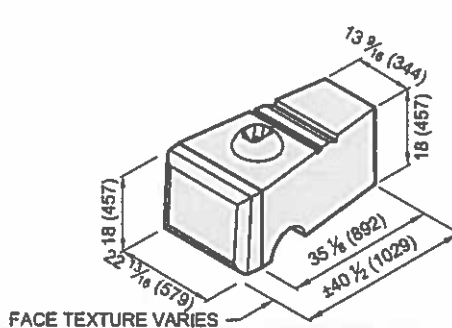
Face Texture:	Cobble / Limestone	Ledgestone
Block Weight:	2309 lb (1047 kg)	2237 lb (1015 kg)
Block Volume:	16.14 ft ³ (0.457 m ³)	15.85 ft ³ (0.443 m ³)
Center of Gravity:	20.4" (518 mm)	19.8" (504 mm)

SHEAR KNOBS @
23 (584) OC, TYP.



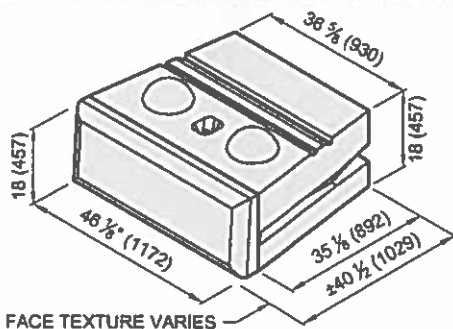
41" (1030mm) HALF MIDDLE

Face Texture:	Cobble / Limestone	Ledgestone
Block Weight:	1022 lb (463 kg)	987 lb (447 kg)
Block Volume:	7.14 ft ³ (0.20 m ³)	6.90 ft ³ (0.20 m ³)
Center of Gravity:	21.4" (543 mm)	20.8" (528 mm)



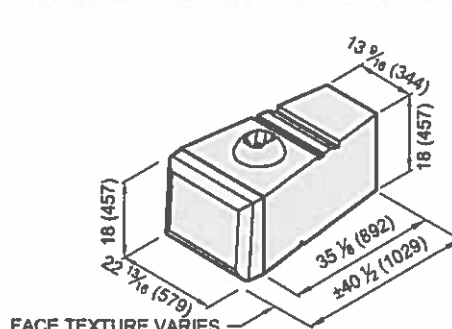
41" (1030mm) BOTTOM

Face Texture:	Cobble / Limestone	Ledgestone
Block Weight:	2439 lb (1106 kg)	2368 lb (1074 kg)
Block Volume:	17.06 ft ³ (0.483 m ³)	16.56 ft ³ (0.469 m ³)
Center of Gravity:	20.7" (527 mm)	20.2" (514 mm)



41" (1030mm) HALF BOTTOM

Face Texture:	Cobble / Limestone	Ledgestone
Block Weight:	1083 lb (491 kg)	1048 lb (475 kg)
Block Volume:	7.58 ft ³ (0.21 m ³)	7.33 ft ³ (0.21 m ³)
Center of Gravity:	21.7" (551 mm)	21.2" (538 mm)



1. Units for dimensions are inches (mm), typical unless noted otherwise.
2. Confirm block production with licensed Redi-Rock manufacturer.
3. Center of Gravity is measured from the back of block.
4. Actual block volumes and weights may vary.
5. Weights are based upon a concrete density of 143 lb/ft³ (2291kg/m³).

6. Half blocks contain a fork slot on only one side of the block.
7. Interface Shear knobs are typically 10" (254mm) diameter by 4" (102mm) tall. Smaller knob diameters are available.
8. * 41" (1030mm) Top blocks are not typical and used in limited applications.

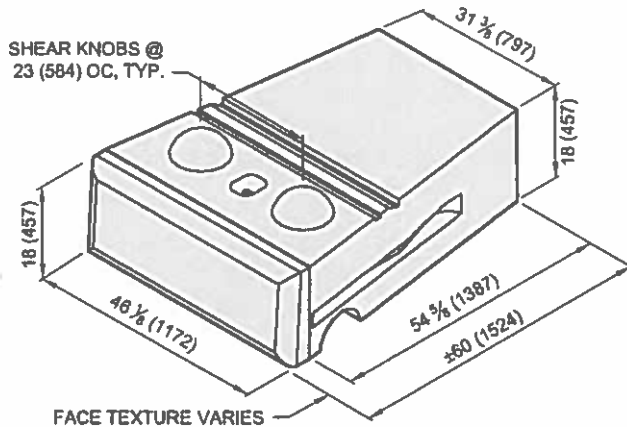
DRAWN BY:	BWL
APPROVED BY:	JRJ
DATE:	3JUN2015
SHEET:	2 of 8

TITLE:	Block Library RETAINING BLOCKS
FILE:	

REDI-ROCK
05481 US 31 SOUTH, CHARLEVOIX, MI 49720
(866) 222-8400 ext 3010 • engineering@redi-rock.com
www.redi-rock.com

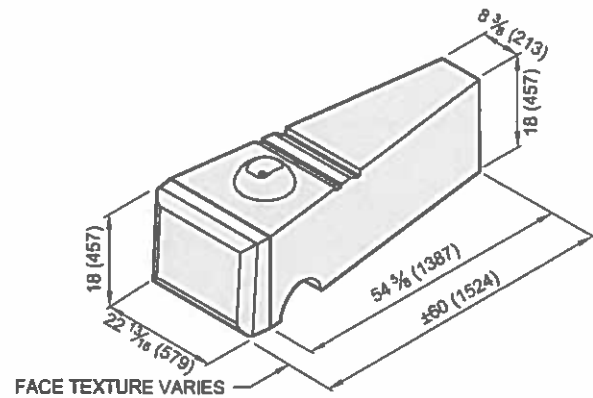
60" (1520mm) MIDDLE

Face Texture:	Cobble / Limestone	Ledgestone
Block Weight:	3287 lb (1491 kg)	3216 lb (1458 kg)
Block Volume:	23.00 ft ³ (0.651 m ³)	22.49 ft ³ (0.637 m ³)
Center of Gravity:	31.0" (786 mm)	30.4" (772 mm)



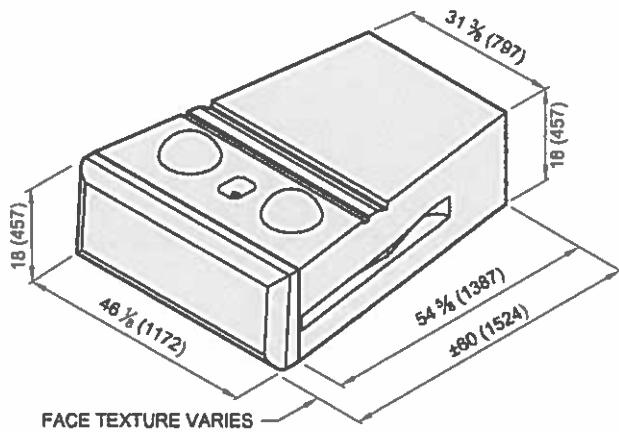
60" (1520mm) HALF MIDDLE

Face Texture:	Cobble / Limestone	Ledgestone
Block Weight:	1335 lb (606 kg)	1300 lb (590 kg)
Block Volume:	9.34 ft ³ (0.264 m ³)	9.09 ft ³ (0.258 m ³)
Center of Gravity:	33.7" (856 mm)	33.1" (840 mm)



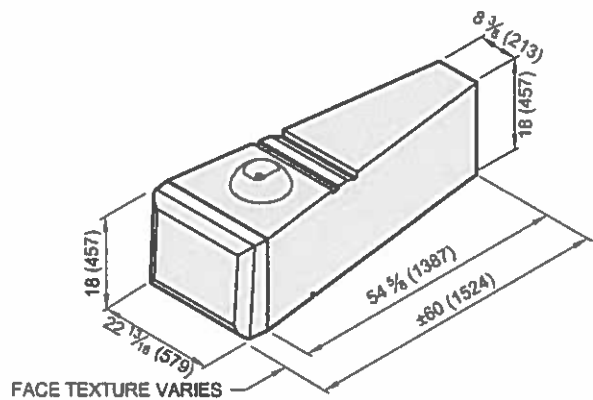
60" (1520mm) BOTTOM

Face Texture:	Cobble / Limestone	Ledgestone
Block Weight:	3418 lb (1550 kg)	3346 lb (1518 kg)
Block Volume:	23.90 ft ³ (0.677 m ³)	23.40 ft ³ (0.663 m ³)
Center of Gravity:	31.6" (802 mm)	31.0" (788 mm)



60" (1520mm) HALF BOTTOM

Face Texture:	Cobble / Limestone	Ledgestone
Block Weight:	1397 lb (633 kg)	1364 lb (618 kg)
Block Volume:	9.77 ft ³ (0.277 m ³)	9.52 ft ³ (0.270 m ³)
Center of Gravity:	34.3" (871 mm)	33.7" (856 mm)



1. Units for dimensions are inches (mm), typical unless noted otherwise.
2. Confirm block production with licensed Redi-Rock manufacturer.
3. Center of Gravity is measured from the back of block.
4. Actual block volumes and weights may vary.
5. Weights are based upon a concrete density of 143 lb/ft³ (2291kg/m³).

6. 60" (1520 mm) are typically used at the bottom of taller walls.
7. Half blocks contain a fork slot on only one side of the block.
8. Interface Shear knobs are typically 10" (254mm) diameter by 4" (102mm) tall. Smaller knob diameters are available.

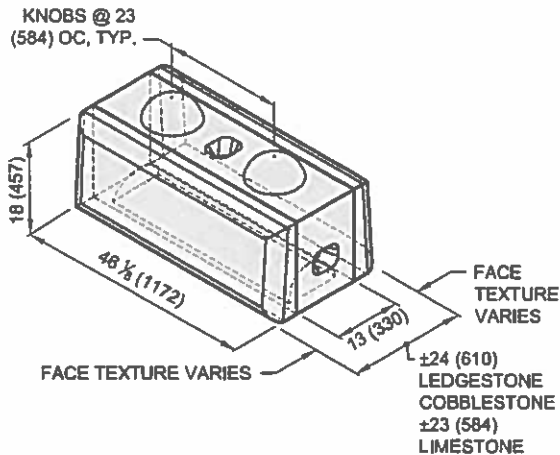
DRAWN BY:	BWL
APPROVED BY:	JRJ
DATE:	3JUN2015
SHEET:	3 of 8

TITLE:	Block Library RETAINING BLOCKS
FILE:	

REDI-ROCK®
 05481 US 31 SOUTH, CHARLEVOIX, MI 49720
 (688) 222-8400 ext 3010 • engineering@redi-rock.com
www.redi-rock.com

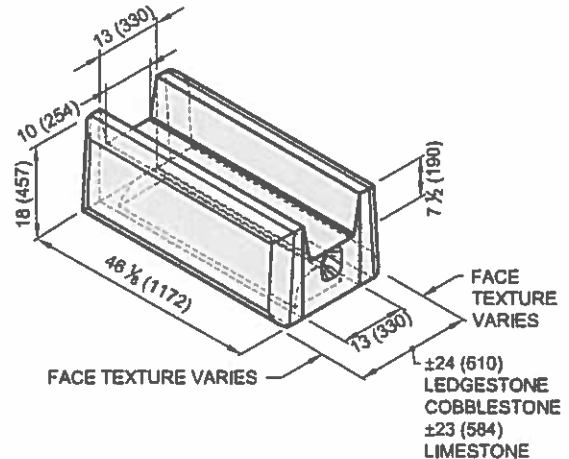
STRAIGHT MIDDLE

Face Texture:	Cobble / Limestone	Ledgestone
Block Weight:	1407 lb (638 kg)	1264 lb (573 kg)
Block Volume:	9.84 ft ³ (0.279 m ³)	8.84 ft ³ (0.250 m ³)



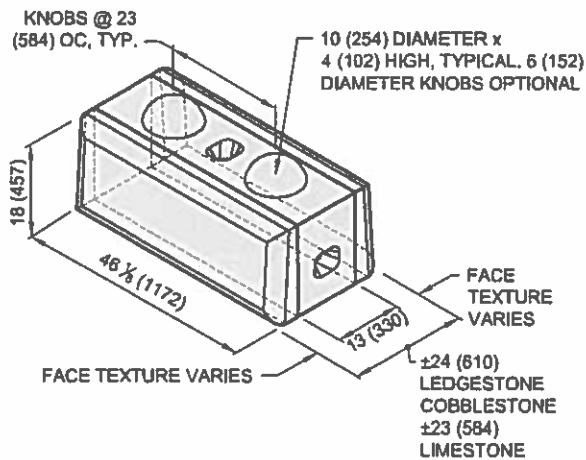
STRAIGHT GARDEN TOP

Face Texture:	Cobble / Limestone	Ledgestone
Block Weight:	1050 lb (476 kg)	908 lb (412 kg)
Block Volume:	7.35 ft ³ (0.208 m ³)	6.35 ft ³ (0.180 m ³)



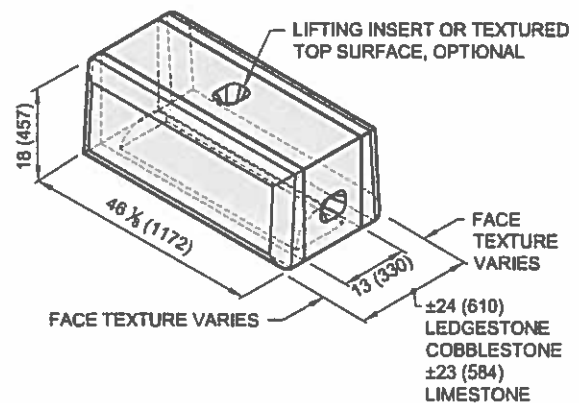
STRAIGHT BOTTOM

Face Texture:	Cobble / Limestone	Ledgestone
Block Weight:	1523 lb (691 kg)	1381 lb (626 kg)
Block Volume:	10.65 ft ³ (0.302 m ³)	9.66 ft ³ (0.273 m ³)



STRAIGHT TOP

Face Texture:	Cobble / Limestone	Ledgestone
Block Weight:	1375 lb (623 kg)	1232 lb (559 kg)
Block Volume:	9.61 ft ³ (0.272 m ³)	8.62 ft ³ (0.244 m ³)



1. Units for dimensions are inches (mm), typical unless noted otherwise.
2. Confirm block production with licensed Redi-Rock manufacturer.
3. Architectural faces on the blocks have varying texture.
4. Actual block volumes and weights may vary.
5. Weights are based upon a concrete density of 143 lb/ft³ (2291 kg/m³).

6. 6" (152 mm) diameter vertical semi-cylindrical voids at the ends of the block for mechanical tie-down are available, refer to Force Protection blocks for additional information.
7. Knobs are typically 10" (254mm) diameter by 4" (102 mm) tall. Smaller knobs are available.

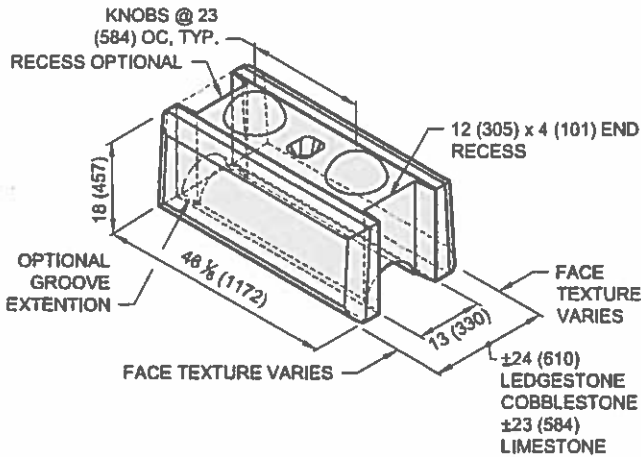
DRAWN BY:	BWL
APPROVED BY:	JRJ
DATE:	3JUN2015
SHEET:	1 of 6

TITLE:	Block Library FREESTANDING BLOCKS
FILE:	Redi-Rock Block Library 060315.dwg

REDI-ROCK
 05481 US 31 SOUTH, CHARLEVOIX, MI 49720
 (866) 222-8400 ext 3010 • engineering@redi-rock.com
www.redi-rock.com

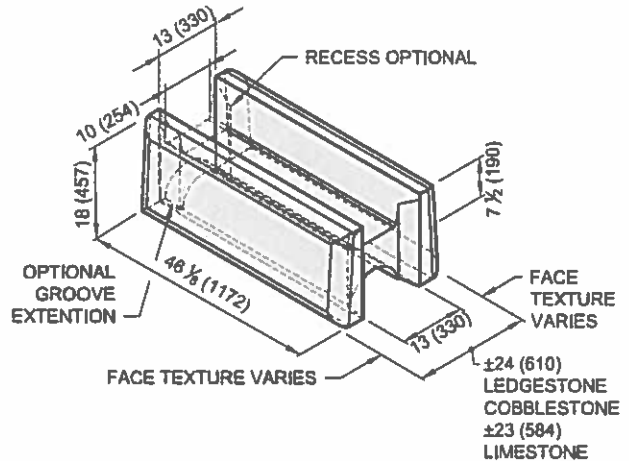
VARIABLE RADIUS MIDDLE

Face Texture:	Cobble / Limestone	Ledgestone
Block Weight:	1267 lb (574 kg)	1124 lb (510 kg)
Block Volume:	8.86 ft ³ (0.251 m ³)	7.86 ft ³ (0.223 m ³)



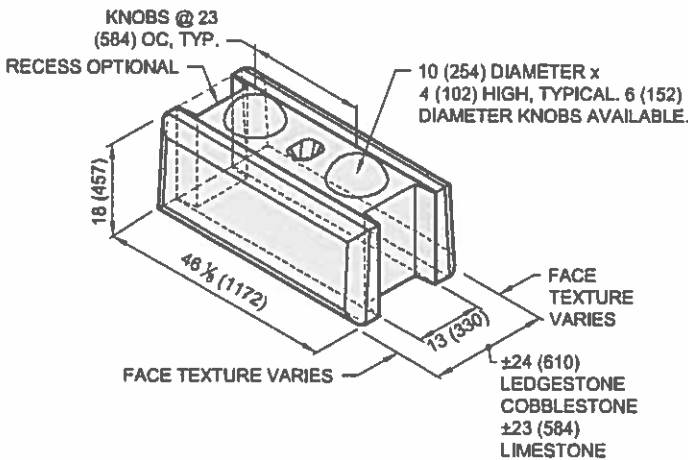
VARIABLE RADIUS GARDEN TOP

Face Texture:	Cobble / Limestone	Ledgestone
Block Weight:	967 lb (438 kg)	824 lb (374 kg)
Block Volume:	6.76 ft ³ (0.191 m ³)	5.76 ft ³ (0.163 m ³)



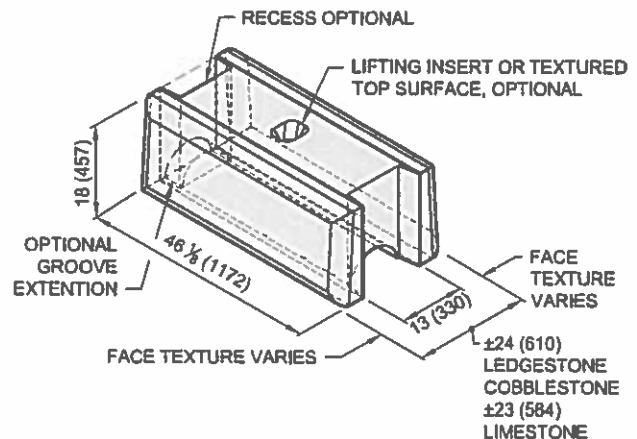
VARIABLE RADIUS BOTTOM

Face Texture:	Cobble / Limestone	Ledgestone
Block Weight:	1380 lb (626 kg)	1238 lb (561 kg)
Block Volume:	9.65 ft ³ (0.273 m ³)	8.66 ft ³ (0.245 m ³)



VARIABLE RADIUS TOP

Face Texture:	Cobble / Limestone	Ledgestone
Block Weight:	1235 lb (560 kg)	1092 lb (495 kg)
Block Volume:	8.63 ft ³ (0.244 m ³)	7.64 ft ³ (0.216 m ³)



1. Units for dimensions are inches (mm), typical unless noted otherwise.
2. Confirm block production with licensed Redi-Rock manufacturer.
3. Variable radius feature can be cast on only one end, coordinate.
4. Architectural faces on the blocks have varying texture.

5. Actual block volumes and weights may vary.
6. Weights are based upon a concrete density of 143 lb/ft³ (2291 kg/m³).
7. Knobs are typically 10" (254 mm) diameter by 4" (102 mm) tall. Smaller knobs are available.

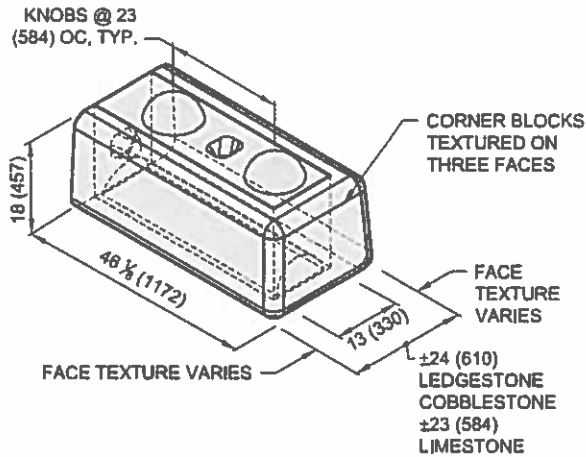
DRAWN BY:	BWL
APPROVED BY:	JRJ
DATE:	3JUN2015
SHEET:	2 of 6

TITLE:	Block Library FREESTANDING BLOCKS
FILE:	Redi-Rock Block Library 060315.dwg

REDI-ROCK
 05481 US 31 SOUTH, CHARLEVOIX, MI 48720
 (866) 222-8400 ext 3010 • engineering@redi-rock.com
www.redi-rock.com

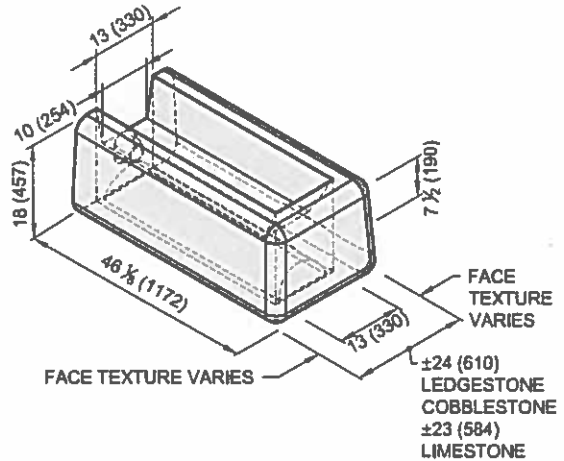
CORNER MIDDLE

Face Texture:	Limestone	Cobblestone	Ledgestone
Block Weight:	1370 lb (620kg)	1390 lb (630 kg)	1360 lb (617kg)
Block Volume:	9.6 ft ³ (0.27m ³)	9.7 ft ³ (0.28m ³)	9.5 ft ³ (0.27m ³)



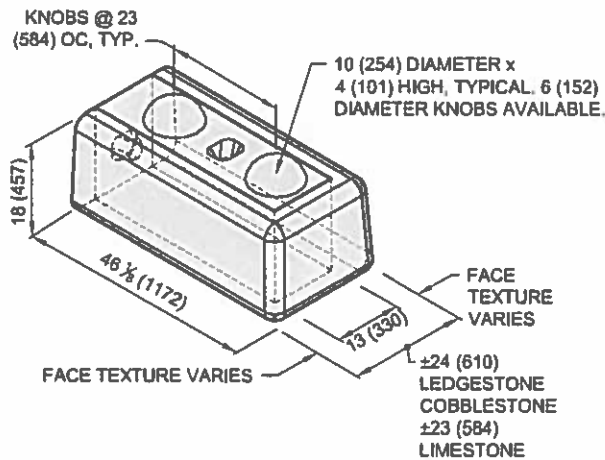
CORNER GARDEN TOP

Face Texture:	Limestone	Cobblestone	Ledgestone
Block Weight:	1070 lb (480kg)	1080 lb (490 kg)	1060 lb (480kg)
Block Volume:	7.5 ft ³ (0.21m ³)	7.6 ft ³ (0.22m ³)	7.4 ft ³ (0.21m ³)



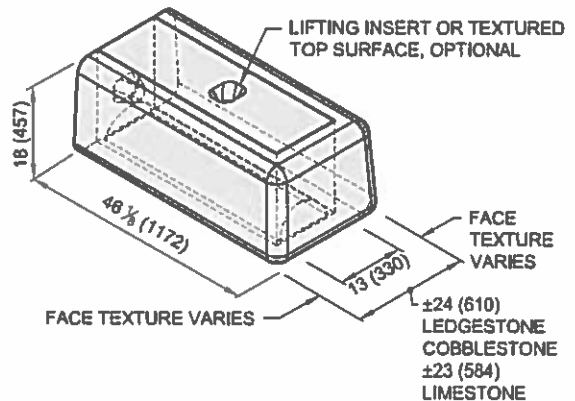
CORNER BOTTOM

Face Texture:	Limestone	Cobblestone	Ledgestone
Block Weight:	1490 lb (680kg)	1510 lb (680 kg)	1480 lb (670kg)
Block Volume:	10.4 ft ³ (0.30m ³)	10.5 ft ³ (0.30m ³)	10.3 ft ³ (0.29m ³)



CORNER TOP

Face Texture:	Limestone	Cobblestone	Ledgestone
Block Weight:	1340 lb (610kg)	1360 lb (620 kg)	1330 lb (600kg)
Block Volume:	9.4 ft ³ (0.26m ³)	9.5 ft ³ (0.27m ³)	9.3 ft ³ (0.26m ³)



1. Units for dimensions are inches (mm), typical unless noted otherwise.
2. Confirm block production with licensed Redi-Rock manufacturer.
3. Architectural faces on the blocks have varying texture.
4. Actual block volumes and weights may vary.

5. Weights are based upon a concrete density of 143 lb/ft³ (2291 kg/m³).
6. Knobs are typically 10" (254mm) diameter by 4" (102 mm) tall. Smaller knobs are available.

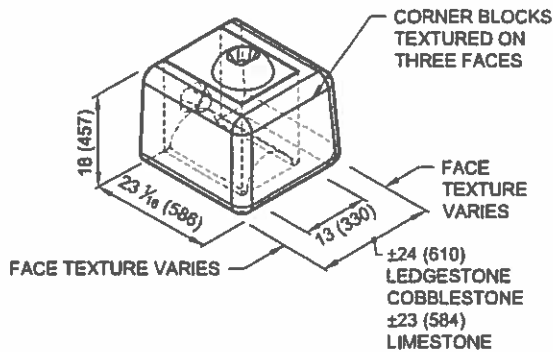
DRAWN BY:	BWL
APPROVED BY:	JRJ
DATE:	3JUN2015
SHEET:	4 of 6

TITLE:	Block Library FREESTANDING BLOCKS
FILE:	

REDI-ROCK®
 05481 US 31 SOUTH, CHARLEVOIX, MI 49720
 (888) 222-8400 ext 3010 • engineering@redi-rock.com
www.redi-rock.com

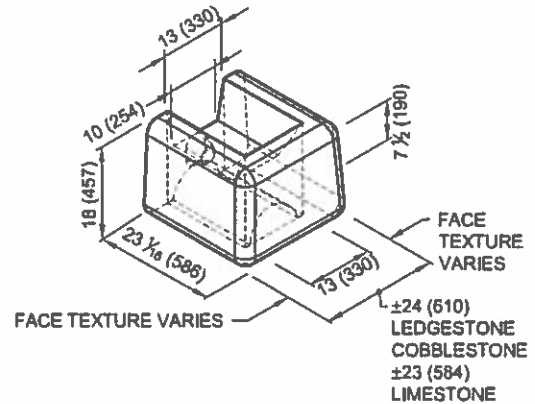
HALF CORNER MIDDLE

Face Texture:	Limestone	Cobblestone	Ledgestone
Block Weight:	660 lb (300kg)	690 lb (310 kg)	650 lb (300kg)
Block Volume:	4.6 ft ³ (0.13m ³)	4.8 ft ³ (0.14m ³)	4.6 ft ³ (0.13m ³)



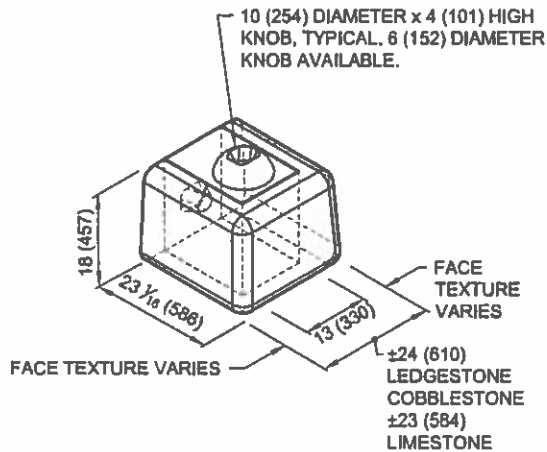
HALF CORNER GARDEN TOP

Face Texture:	Limestone	Cobblestone	Ledgestone
Block Weight:	530 lb (240kg)	570 lb (260 kg)	530 lb (240kg)
Block Volume:	3.7 ft ³ (0.11m ³)	4.0 ft ³ (0.11m ³)	3.7 ft ³ (0.10m ³)



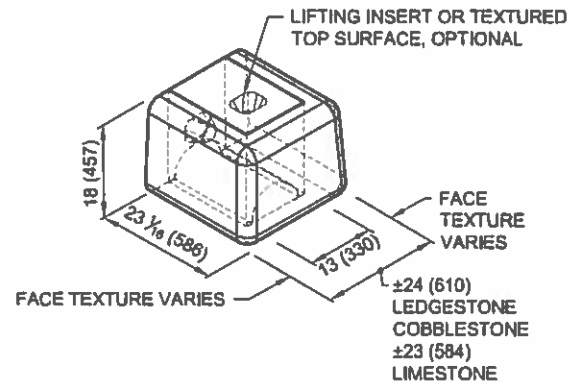
HALF CORNER BOTTOM

Face Texture:	Limestone	Cobblestone	Ledgestone
Block Weight:	710 lb (320kg)	740 lb (340 kg)	700 lb (320kg)
Block Volume:	5.0 ft ³ (0.14m ³)	5.2 ft ³ (0.15m ³)	4.9 ft ³ (0.14m ³)



HALF CORNER TOP

Face Texture:	Limestone	Cobblestone	Ledgestone
Block Weight:	640 lb (290kg)	670 lb (310 kg)	630 lb (290kg)
Block Volume:	4.5 ft ³ (0.13m ³)	4.7 ft ³ (0.13m ³)	4.4 ft ³ (0.13m ³)



1. Units for dimensions are inches (mm), typical unless noted otherwise.
2. Confirm block production with licensed Redi-Rock manufacturer.
3. Architectural faces on the blocks have varying texture.
4. Actual block volumes and weights may vary.

5. Weights are based upon a concrete density of 143 lb/ft³ (2291 kg/m³).
6. Knobs are typically 10" (254mm) diameter by 4" (102 mm) tall. Smaller knobs are available.

DRAWN BY:	BWL
APPROVED BY:	JRJ
DATE:	3JUN2015
SHEET:	5 of 6

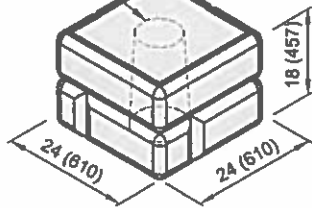
TITLE:	Block Library FREESTANDING BLOCKS
FILE:	

REDI-ROCK®
 05481 US 31 SOUTH, CHARLEVOIX, MI 49720
 (866) 222-8400 ext 3010 • engineering@redi-rock.com
www.redi-rock.com

COLUMN - 8" (203mm) CORE

Block Weight: 730 lb (330 kg)
 Block Volume: 5.1 ft³ (0.14 m³)

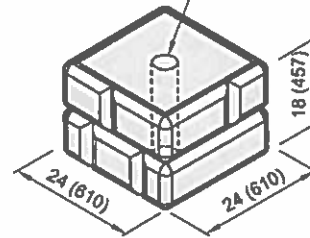
CENTERED THRU TAPERED HOLE
 8-10 (200-250) DIAMETERS



COLUMN - 4" (102mm) CORE

Block Weight: 810 lb (370 kg)
 Block Volume: 5.6 ft³ (0.16 m³)

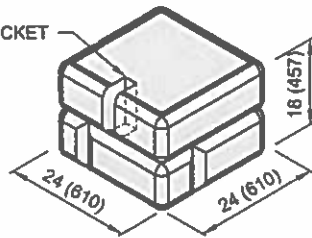
CENTERED 4 (102) DIAMETER
 PVC PIPE SLEEVE THRU BLOCK



COLUMN - SOLID CORE

Block Weight: 825 lb (375 kg)
 Block Volume: 5.8 ft³ (0.16 m³)

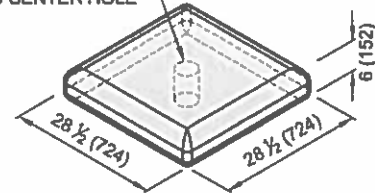
OPTIONAL FENCE POCKET



COLUMN CAP

Block Weight: 390 lb (180 kg)
 Block Volume: 2.7 ft³ (0.08 m³)

OPTIONAL 4 (102) DIAMETER
 THRU CENTER HOLE



1. Units for dimensions are inches (mm), typical unless noted otherwise.
2. Confirm block production with licensed Redi-Rock manufacturer.
3. Actual block volumes and weights may vary.
4. Weights are based upon a concrete density of 143 lb/ft³ (2291 kg/m³).

5. Weight and volume ranges represents the blocks with the maximum hole size shown and with no hole.
6. Optional fence rail pockets available upon request. Typical pocket size is: 2 (50) wide x 5 (130) deep x 9 (230) tall.

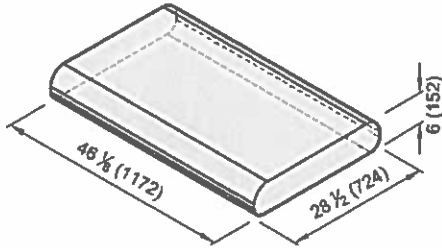
DRAWN BY:	BWL
APPROVED BY:	JRJ
DATE:	3JUN2015
SHEET:	2 of 2

TITLE:	Block Library ACCESSORIES (CAP AND STEP BLOCKS)
FILE:	Redi-Rock Block Library 080315.dwg

REDI-ROCK
 05481 US 31 SOUTH, CHARLEVOD, MI 49720
 (866) 222-8400 ext 3010 • engineering@redi-rock.com
www.redi-rock.com

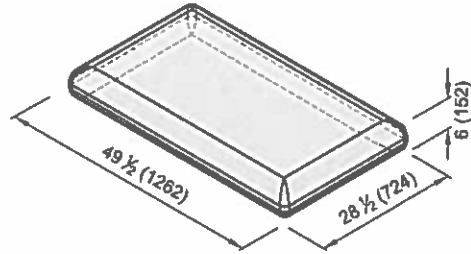
TWO-SIDED

Block Weight: 631 lb (286 kg)
Block Volume: 4.42 ft³ (0.125 m³)



FOUR-SIDED

Block Weight: 665 lb (302 kg)
Block Volume: 4.65 ft³ (0.132 m³)



1. Units for dimensions are inches (mm), typical unless noted otherwise.
2. Confirm block production with licensed Redi-Rock manufacturer.

3. Actual block volumes and weights may vary.
4. Weights are based upon a concrete density of 143 lb/ft³ (2291 kg/m³).

DRAWN BY:	BWL
APPROVED BY:	JRJ
DATE:	3JUN2015
SHEET:	1 of 2

TITLE:	Block Library ACCESSORIES (CAP AND STEP BLOCKS)
FILE:	

REDI-ROCK®
05481 US 31 SOUTH, CHARLEVOIX, MI 49720
(866) 222-8400 ext 3010 • engineering@redi-rock.com
www.redi-rock.com