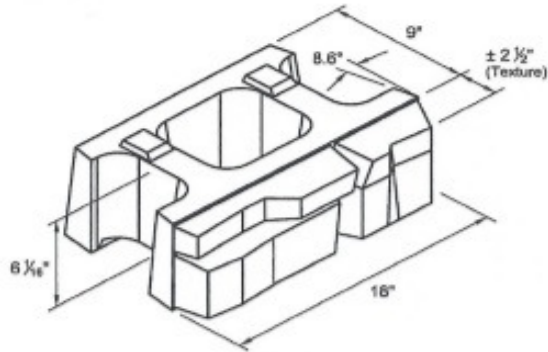




Offered by Redi-Rock of Central Maine



Product Description

115 Series - Retaining Wall Block

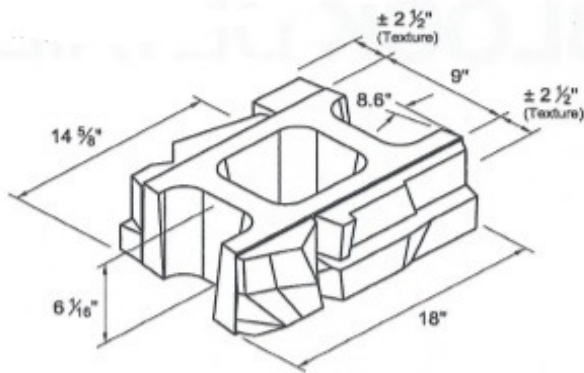
.075 sq.ft. per block

Block weight 56 lbs.

Colors:

Borestone Gray - RSBG115RW

Kineo Ash - RSKA115RW



Product Description

140 Free Standing Wall Block

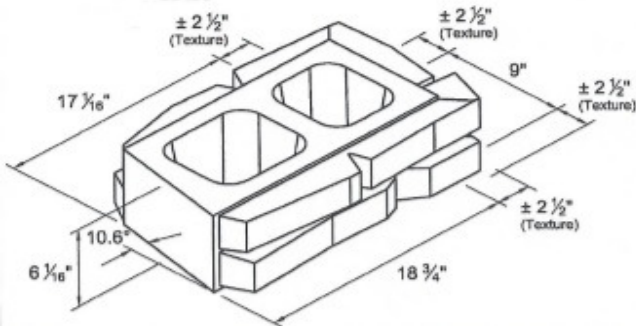
0.69 sq.ft. per block

Block weight 67 lbs.

Colors:

Borestone Gray: RSBG140FS

Kineo Ash: RSKA140FS



Product Description

Corner block

0.85 sq.ft. per block

Block weight 88 lbs.

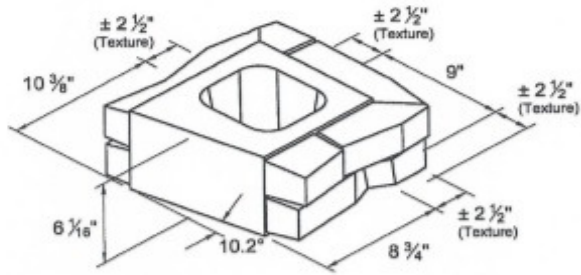
Colors:

Borestone Gray: RSBGCB

Kineo Ash: RSKACB

Product Description

Half Corner block



0.42 sq.ft. per block

Block weight 54 lbs.

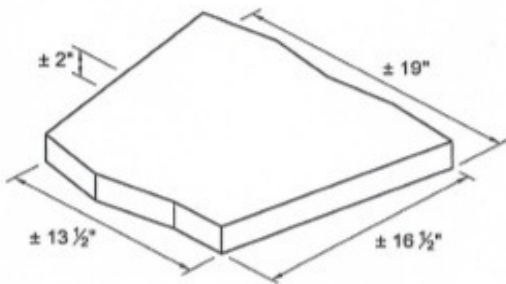
Colors:

Boretone Gray: RSBGHCB

Kineo Ash: RSKAHCB

Product Description

Standard Coping



1.38 LF. per block

Block weight 43 lbs.

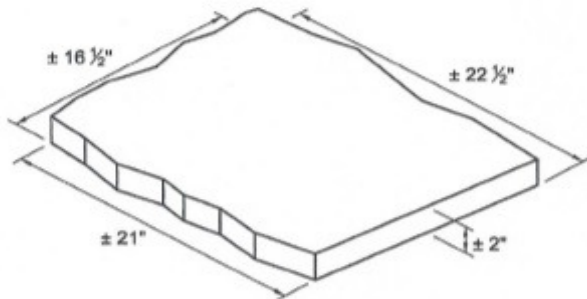
Color:

Borestone Gray: RSBGSCOP

Kineo Ash: RSKASCOP

Product Description

End Coping



1.81LF. per block

Block weight 62 lbs.

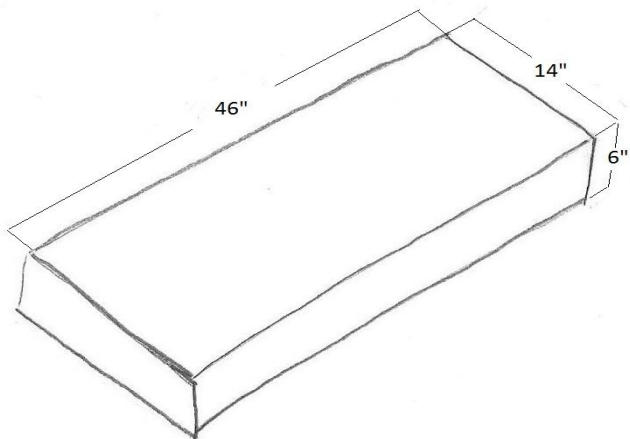
Color:

Borestone Gray: RSBGECOP

Kineo Ash: RSKAECOP

Product Description

Steps



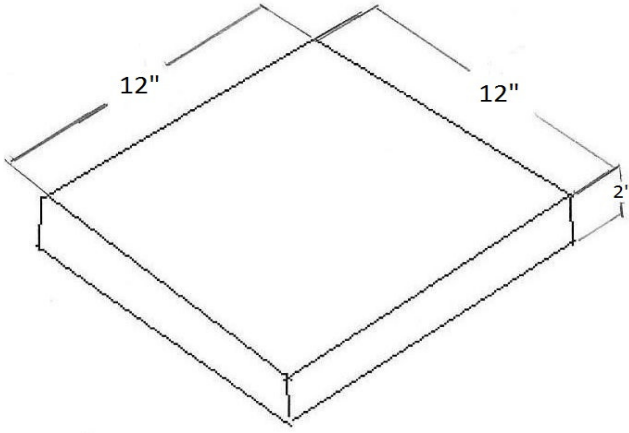
4.06 LF per step

Block weight 344 lbs.

Color:

Borestone Slate Gray: RSBG1SSTEP

Kineo Ash: RSKA1SSTP



Product Description
 Flagstaff Paver Collection
 Sebec 1200 Series Pavers

12 sq.ft per paver
 Paver weight 24 lbs.

Color:
 Blue Stone
 KP1200

Flagstaff Paver Collection
 Bigelow 1500 Series Pavers
 15 Square Feet per Layer
 Pieces per Pattern

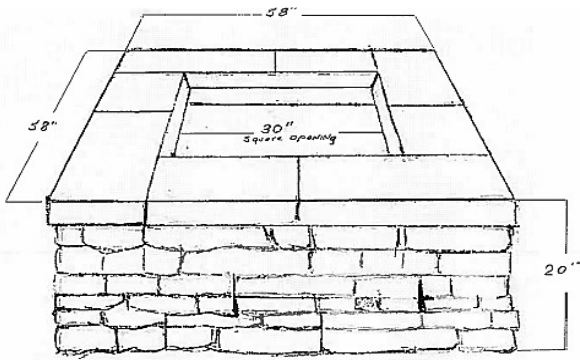
3 ea. 6" X 9"	1 ea. 9" X 9"	2 ea. 9" X 12"
2 ea. 9" X 15"	1 ea. 12" X 12"	2 ea. 12" X 15"
2 ea. 12" X 18"	1 ea. 15" X 15"	1 ea. 15" X 18"



Wt. per layer 355 lbs.
 Wt. per pallet 3546 lbs.

Color:
 Blue Stone
 KP1500

Product Description



Whetstone Fire Pits

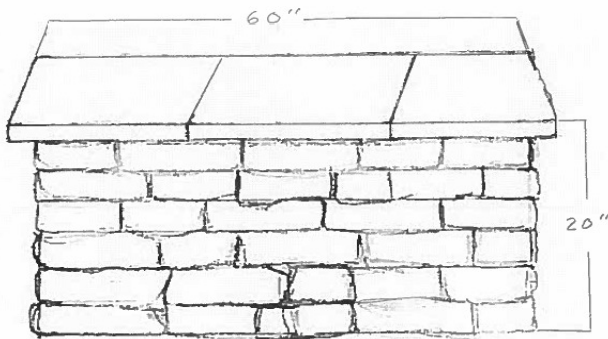
58" X 58" X 20"

Kit weight: 2250 Lbs.

Color:

Borestone Slate Gray: RSBG15FPIT

Kineo Ash: RSKABENCH



Product Description

Bench Kit

60" X 16.5" X 20"

Kit weight: 950 Lbs.

Color:

Borestone Slate Gray: RSBGBENCH

Kineo Ash: RSKA5FPIT